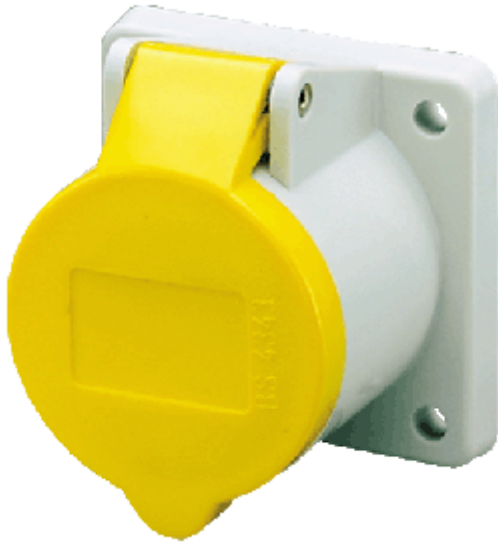
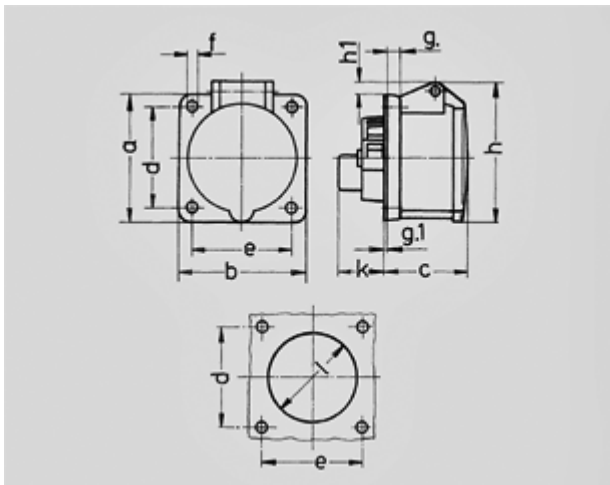


**Panel mounted socket - Part no. 1362**


- screw terminals
- small flange dimensions
- straight

Protection type	44
Ampere	16 A
Poles	3p
Voltage	110
Hertz	50-60Hz
Earth position	4h
Contact	standard
Connection technology	Screw terminals

Std. Pack. 10 Qty.



Drawing	Amp.	16		
		Poles		
1 MB 259		3	4	5
Dim. in mm	a	62	72	72
	b	62	65	65
	c	54	54	54
	d	47	52	52
	e	47	52	52
	f	5,5	5,5	5,5
	g.	8	8	8
	g.1	2	2	2
	h	68	77	85
	h1	7	7	11
	k	28	28	28
	l	50	52	57
Terminal for cond. cross section (mm <sup>2</sup> ) min.-max.		1,5	1,5	1,5
		—4	—4	—4